

## INDUCTIVE PROXIMITY SENSOR

Approved for dust explosive atmospheres  
Zones 20, 21 & 22

### APPLICATION

Detects the presence or absence of materials. Is used for monitoring the speed of machinery via a speed module or PLC

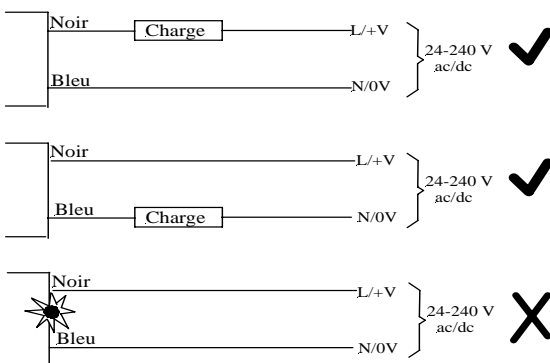
### FEATURES

- Multi-voltage power supply 24-240V AC/DC
- 2-wire – PLC compatible
- Protected to IP 65
- M30 x 1.5 ISO threaded body for mounting & adjustment
- LEDs showing output state
- 12mm detection range
- ATEX & IECEx certified according to norm EN 50281-1-1  
Ex II 1D T100°C IP65 – ZONE 20

### PART NUMBERS/OPTIONS

- P3001V10AI – Contact Normally Open
- P3002V10AI – Contact Normally Closed
- WG1-8A-BR – Whirligig combined target/bracket/guard

### CONNECTIONS

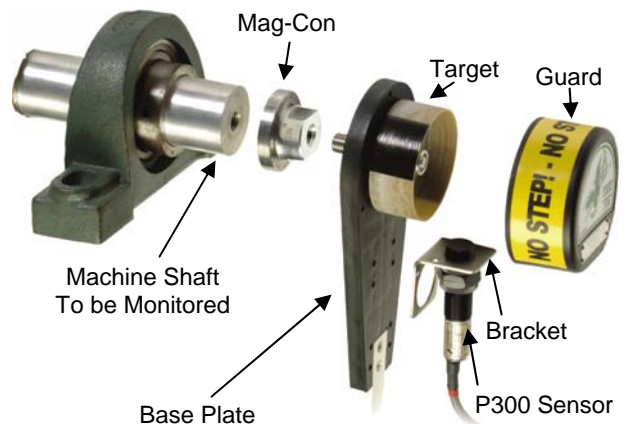


P3001V10AI or P3002V10AI



**ATEX-Approved**  
Ex II 1D T100°C-IP 65-ZONE 20

**IECEx**



**P300 Inductive Sensor shown with optional Whirligig and Mag-Con**

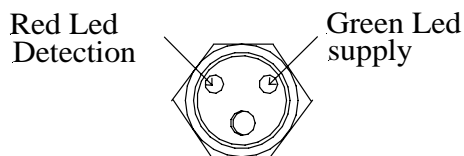
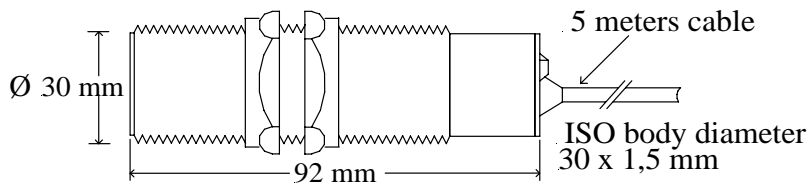
(Used for simple and reliable installation on shaft speed monitoring applications)

Detailed specification, wiring diagrams and installation/operating instructions available immediately upon request.

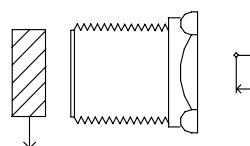
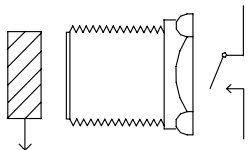
Please refer to instruction manual for correct installation.  
Information subject to change or correction. June 2006.

TECHNICAL SPECIFICATIONS		
Type	P3001V10AI	P3002V10AI
Power Supply	24-240V ac/dc	
Output	Normally Closed	Normally Open
Cable	2 m x 2 wires	
Max. Frequency		
Sensitivity	Detects up to 12mm	
Volt drop	8V max	
Temperature	-15°C to + 50°C	
Min. current	1,6mA	
Protection	IP 65	
Switching capacity	200mA	
Enclosure	Moulded polycarbonate ISO M30 X 1,5 mm	
Approvals	Atex EX II 1D T100°C	
LED	Green: sensor under tension	
	Red: target detected	

## DIMENSION



## OUTPUT TYPE



### P3001V10AI

### P3002V10AI

Please refer to instruction manual for correct installation.  
Information subject to change or correction. June 2006.